

FILED

2020 MAY 08 9:20 AM

ASHTABULA
MUNICIPAL COURT

IN THE ASHTABULA MUNICIPAL COURT
ASHTABULA, OHIO

IN RE:)
)
ADDENDUM TO THIRD)
EMERGENCY ORDER DATED)
APRIL 21, 2020)
IN RESPONSE TO THE)
COVID-19 (CORONAVIRUS))
PUBLIC HEALTH CRISIS)
(LOCAL RULES OF COURT)
MODIFIED))

JUDGMENT ENTRY

On April 21, 2020, this Court issued its "Third Emergency Order in response to the COVID-19 (Coronavirus) Public Health Crisis (Court Operations and Local Court Rules Modified)."

Except as otherwise provided herein, the Court hereby issues this "Addendum" Judgment Entry to the "Third Emergency Order" which will be effective May 18, 2020. The April 21, 2020 Judgment Entry shall remain in full force and effect.

The purposes of this Addendum Judgment entry are two-fold: To adopt and modify certain provisions of the referenced April 21, 2020 Judgment Entry specifically regarding the performance of weddings; and more importantly, to address in detail court operations and the issues associated with the safe and proper conduct of in-person hearings and appearances, which the Court deems in each individual scheduled case to require immediate attention, along with public access to the Justice Center, all of which have been delayed as a result of the COVID-19 pandemic.

SCREENING AND FACE COVERING REQUIRED

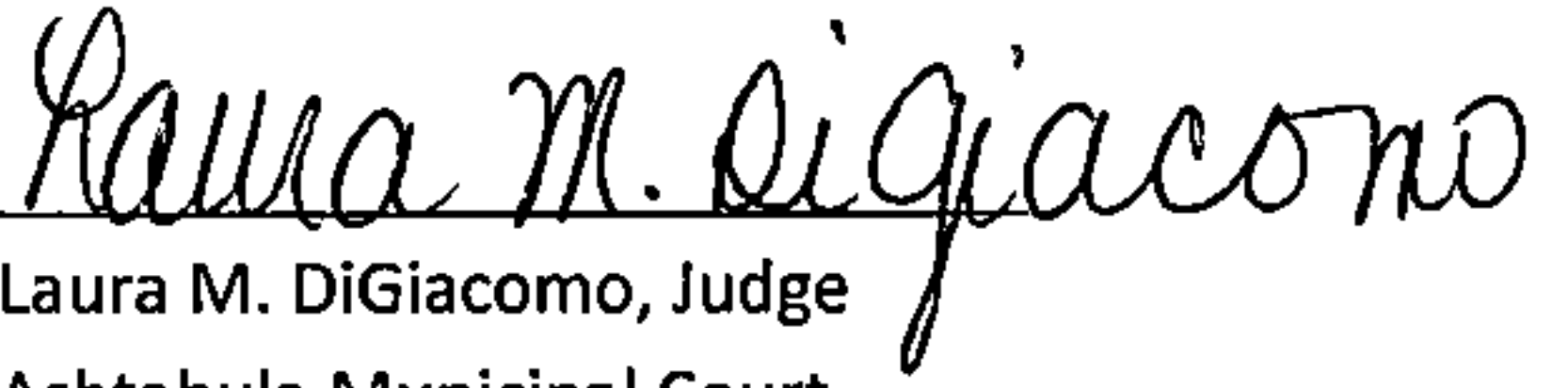
No persons, including employees of the Court, shall be permitted entry into the Justice Center for court purposes until they are sufficiently screened according to the checklist attached hereto as Attachment A and otherwise searched for public health and security purposes. In addition, person shall not be permitted entry into the Justice Center unless they are wearing a face covering pursuant to guidelines established by the Centers for Disease Control and Prevention, attached in part hereto as Attachment B. No mask, no entry. Finally, no person, other than employees of the Justice Center, shall be permitted to bring in their purse, back pack, or other items needing to be searched. Failure by any defendant to wear a face covering and comply with screening protocol will be treated as a failure by the defendant to appear for the scheduled hearing.

Employees of the Court, including Probation Department, are not required to wear face coverings when they are working in their respective office areas.

WEDDINGS

Commencing on and after June 1, 2020, weddings will be permitted to take place in the courtroom, as long as they are scheduled with the Clerk of Court at least one week in advance. Only the bride and groom and two other persons are permitted into the Justice center to attend the wedding, and must comply with all screening and face covering protocol outlined in this Judgment Entry.

IT IS SO ORDERED.


Laura M. DiGiacomo, Judge
Ashtabula Municipal Court

28-159

ATTACHMENT A

ASHTABULA MUNICIPAL COURT

What is your purpose for coming to the courtroom?

Do you have personal business in Court today?

For example:

Attorney

Lake Area Recovery Center Representative

Party to a scheduled case

Victim or victim's representative

Subpoenaed witness

Person filing documents with the Court

Person making a payment to the Court

Required to wear a face covering at all times that you are in the Courthouse.

Have you checked your temperature today? Is temperature 100.8 F or higher?

Have you been on a cruise or international travel in the last 14 days?

Have you had or do you currently have a fever, cough, shortness of breath, or loss of taste or smell over the last few days?

Have you been in close contact with anyone who has been confirmed to have Coronavirus/COVID-19?

Have you been tested for or diagnosed with Coronavirus in the last 14 days?

Have you previously been tested for Coronavirus but have now been cleared?

Use of Cloth Face Coverings to Help Slow the Spread of COVID-19

How to Wear Cloth Face Coverings

Cloth face coverings should—

- fit snugly but comfortably against the side of the face
- be secured with ties or ear loops
- include multiple layers of fabric
- allow for breathing without restriction
- be able to be laundered and machine dried without damage or change to shape

CDC on Homemade Cloth Face Coverings

CDC recommends wearing cloth face coverings in public settings where other social distancing measures are difficult to maintain (e.g., grocery stores and pharmacies), **especially** in areas of significant community-based transmission.

CDC also advises the use of simple cloth face coverings to slow the spread of the virus and help people who may have the virus and do not know it from transmitting it to others. Cloth face coverings fashioned from household items or made at home from common materials at low cost can be used as an additional, voluntary public health measure.

Cloth face coverings should not be placed on young children under age 2, anyone who has trouble breathing, or is unconscious, incapacitated or otherwise unable to remove the cloth face covering without assistance.

The cloth face coverings recommended are not surgical masks or N-95 respirators. Those are critical supplies that must continue to be reserved for healthcare workers and other medical first responders, as recommended by current CDC guidance.

Should cloth face coverings be washed or otherwise cleaned regularly? How regularly?

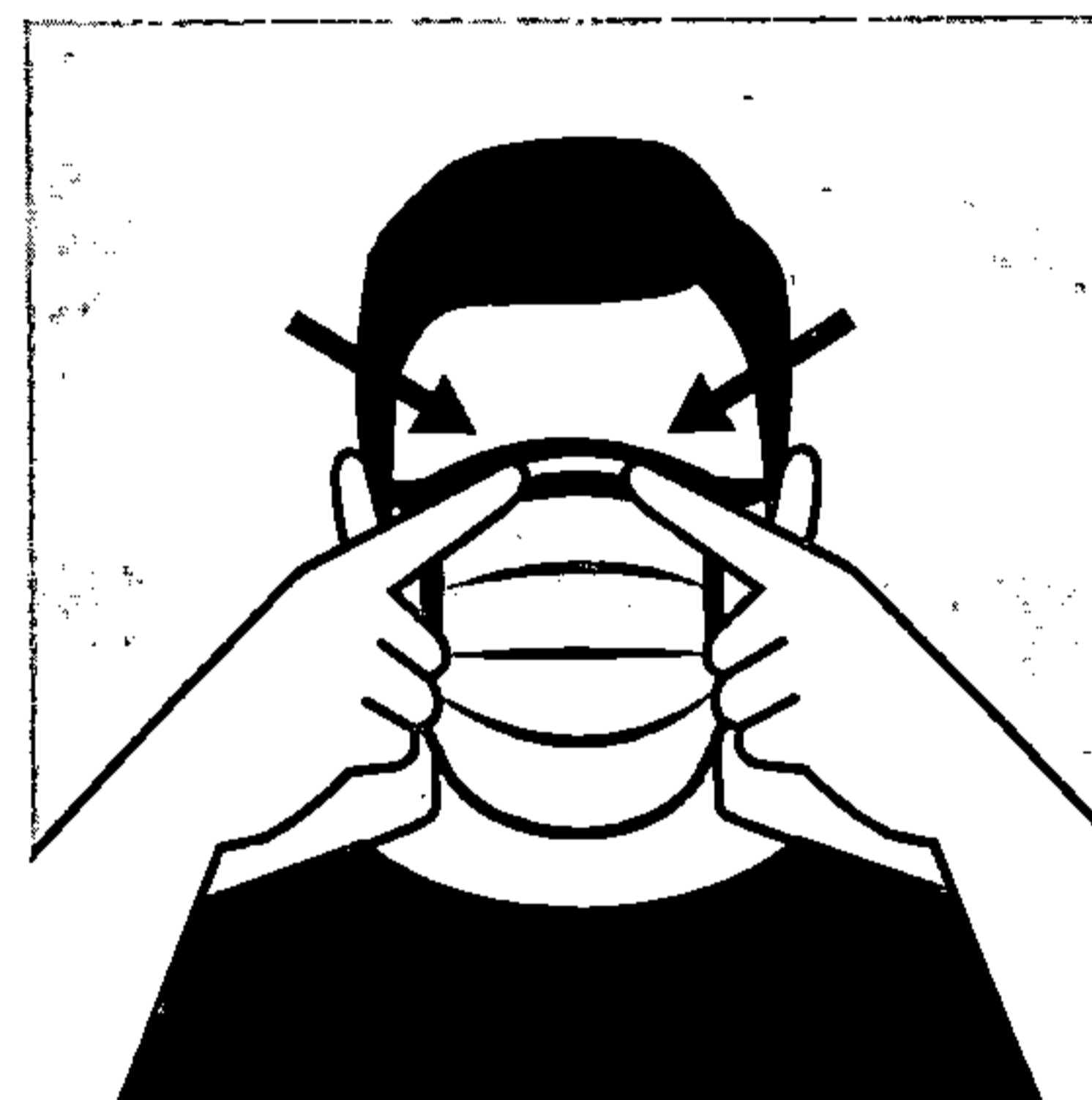
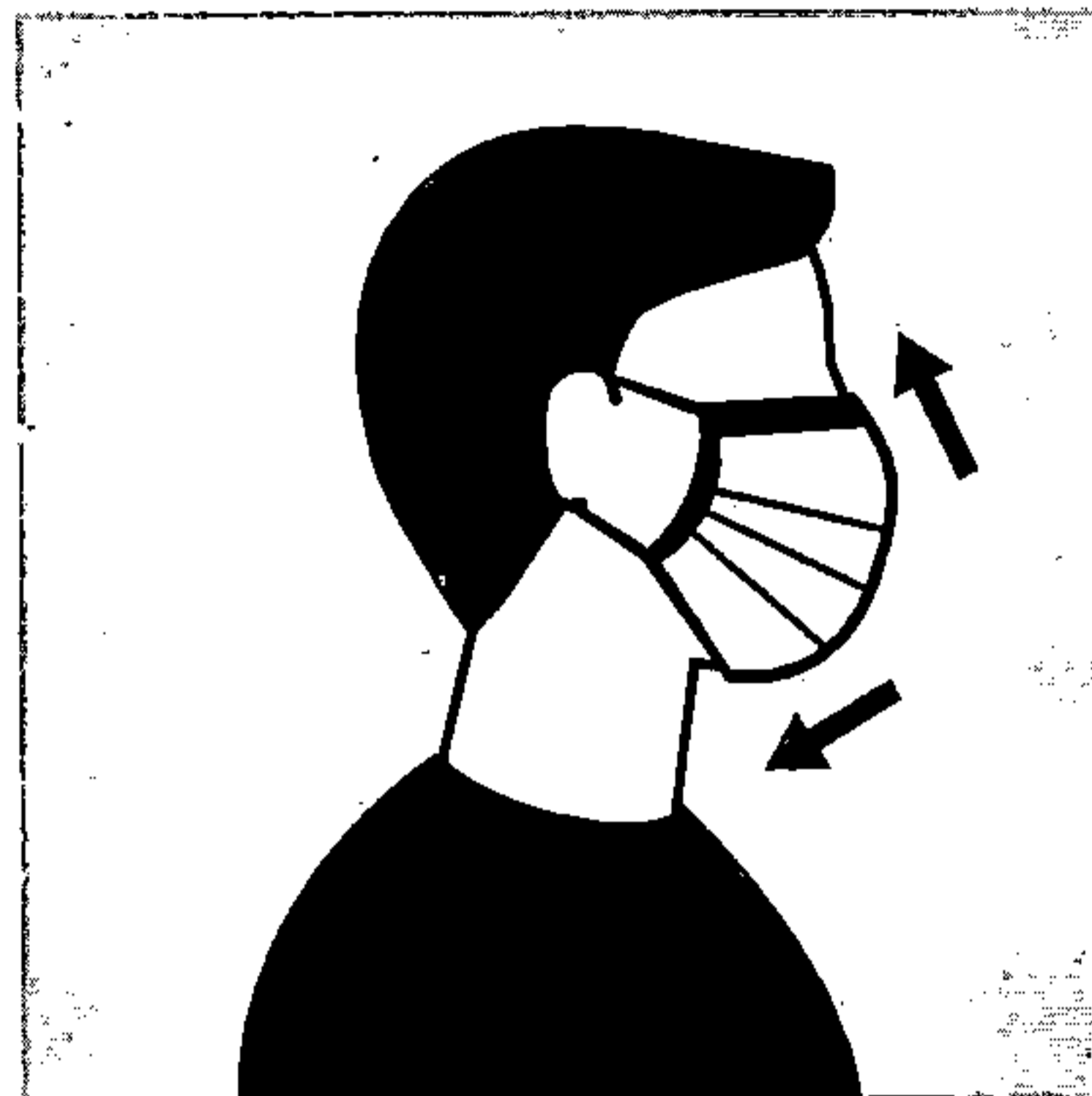
Yes. They should be routinely washed depending on the frequency of use.

How does one safely sterilize/clean a cloth face covering?

A washing machine should suffice in properly washing a cloth face covering.

How does one safely remove a used cloth face covering?

Individuals should be careful not to touch their eyes, nose, and mouth when removing their cloth face covering and wash hands immediately after removing.

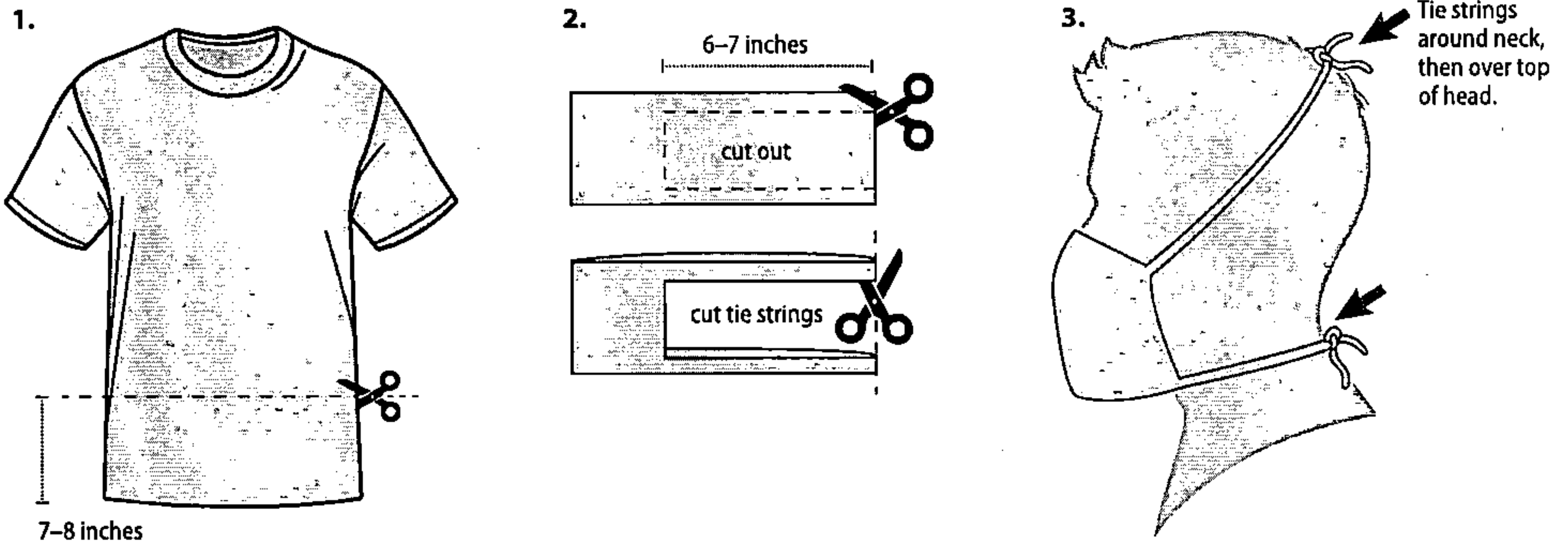


Quick Cut T-shirt Cloth Face Covering (no sew method)

Materials

- T-shirt
- Scissors

Tutorial



Bandana Cloth Face Covering (no sew method)

Materials

- Bandana (or square cotton cloth approximately 20"x20")
- Rubber bands (or hair ties)
- Scissors (if you are cutting your own cloth)

Tutorial

